

Bulletin | Danfoss Turbocor Compressors

Customer Notification

B-CN-077-EN Rev A

8/21/2017

SUBJECT: Soft Start Fan for TT and TG Compressors

Purpose

This bulletin is to notify all customers that there has been a change to the **TT and TG Soft Start Cooling Fans**.

The change is due to the supplier phasing out the existing fan. A new supplier and fan has been qualified and is being implemented. The **new fan is being phased in during September for compressors manufactured in Haiyan China** and will be incrementally **phased in beginning November 2017 for compressors manufactured in the Tallahassee USA** manufacturing site. By the end of 2017, all TT and TG compressors manufactured in the Tallahassee USA site will include the new fan.

Due to differences between Soft Start revisions and compatibility with the new fan, there are some backwards compatibility implications. We have resolved any compatibility problems by including an adapter board in the new spare part kit, **100373 Kit – Cooling Fan Assembly**. The **new** spare part kit will now contain a new adapter board to support the use of the kit across Soft Start module revisions. Any **inventory of the existing fan can continue to be used** regardless of the Soft Start revisions. The old spare part kit 100234 will be made obsolete and will be replaced by Kit 100373.

NOTE: The adapter boards are only included in the **100373 Kit** and are not factory installed on any compressor shipped from Danfoss Turbocor as these compressors have the latest version of the Soft Start.

Summary

With Soft Starts **Revision Q and later**, a new fan power supply circuit was added to the Soft Start to smooth out the voltage sent to the fan thereby extending the life of the Soft Start Fan.

The new fan requires this power supply circuit to achieve the desired fan life. For earlier Soft Start revisions, an adapter board must be used with the new fan in order to achieve the desired fan life.

The new Soft Start Fan kit, 100373 Kit – Cooling Fan Assembly, has been created to support **all versions of the Soft Starts**. This new kit contains a fan and an adapter board along with associated hardware. In some cases, usage of the adapter board will not be necessary. In order to identify whether or not the adapter board is needed, locate the revision of the Soft Start (refer to Figure 1 - Revision Identification).

Soft Starts with revision **P and earlier** require the use of the adapter board. Soft Starts with revision **Q and later** do not require the adapter board.

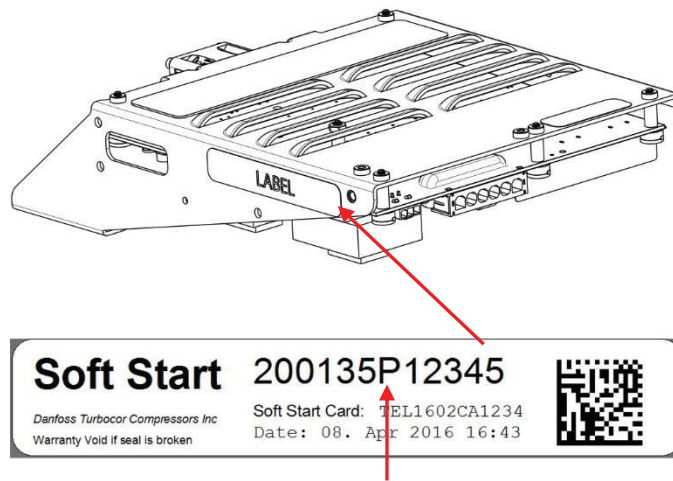


Figure 1. Revision Identification

CAUTION: Use of the adapter board on Soft Starts with revision Q and later may cause the fan not to start leading to Soft Start over-temperature faults. Not incorporating the adapter board on Soft Starts with revision P and earlier will cause premature failure of the Soft Start Fan.

Action Required

You may continue ordering the existing kit (**P/N 100234**) until November 2017. After this date, orders should be placed only for the new kit (**P/N 100373**). Orders already placed will automatically be updated for the new kit number. Instructions in the kit are provided to determine whether the adapter board is needed for your particular Soft Start revision. The new kit will ship with the adapter board already installed on the fan which is the configuration required for Soft Starts revision P and earlier. For Soft Starts revision Q and later, the adapter board **will need to be removed and discarded**. As previously stated, any inventory of the existing fan kit (**P/N 100234**) can be used with all Soft Start revisions.

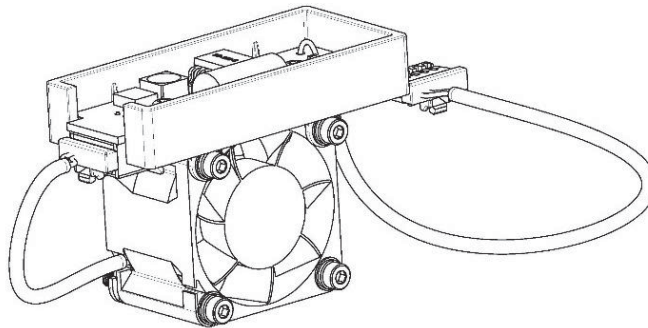


Figure 2. Soft Start Fan with Adapter Board

ENGINEERING
TOMORROW



Need Assistance

For further questions, please contact product.support@danfoss.com.

Danfoss Turboacor Compressors, Inc. • 1769 E Paul Dirac Drive • Tallahassee, FL 32310 USA • contact@danfoss.com • <http://turbocor.danfoss.com> • Phone +1 850 504 4800

Danfoss can accept no responsibility for possible errors in catalogues, brochures and other printed material. Danfoss reserves the right to alter its product without notice. This also applies to products already on order provided that such alterations can be made without sub-sequential changes being necessary in specifications already agreed. All trademarks in this material are property of the respective companies. Danfoss and the Danfoss logotype are trademarks of Danfoss A/S. All rights reserved
