

Bulletin | Danfoss Turbocor Compressors

# Customer Notification

B-CN-162-CN-Rev A

3/1/2019

**SUBJECT:** New DC-DC Converter and Cables for TT&TG Compressors

## Purpose

The purpose of this bulletin is to notify customers of the implementation of a new DC-DC Converter. The new DC-DC Converter has been improved to increase reliability and current output capability which is required for new products. Additionally, this new DC-DC design will reduce complexity by having the same DC-DC converter for all voltages (i.e., it is no longer voltage specific).

本公告旨在通知客户关于新 DC-DC 转换器的使用。新的 DC-DC 转换器经过改进，提高了可靠性和电流输出能力，以满足其他新产品的要求。此外，在新的 DC-DC 设计中，所有的电压都采用同样的 DC-DC 转换器（也就是说，产品不再是电压特定的），从而降低了复杂性。

While the new DC-DC has a different appearance and open frame design, it **is fully backwards compatible with all currently supported TT/TG compressors.**

新的 DC-DC 虽然采用了不同的外观和开放式框架设计，**但是与当前支持的所有 TT/TG 压缩机完全向后兼容。**

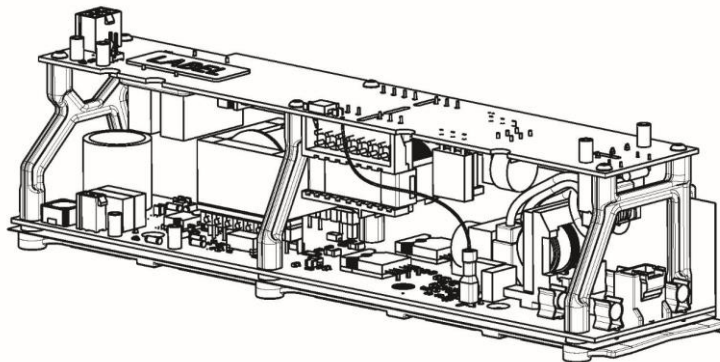


Figure 1 – New DC-DC Converter

图 1 – 新的 DC-DC 转换器

This new DC-DC converter does not require the trigger signal from the Soft Start and the **Soft Start AC/DC cable harnesses have been updated to eliminate the trigger signal harness for all new compressors.**

新的 DC-DC 转换器不需要来自软启动模块的触发信号，**所有新型压缩机的软启动 AC/DC 线缆也进行了更新，去除了触发信号线束。**

The new DC-DC Converter and associated cable harnesses will be installed on compressors manufactured in Tallahassee, FL in April 2019.

新的 DC-DC 转换器和相关线缆将从 2019 年 4 月起安装在佛罗里达州塔拉哈西工厂制造的压缩机上。

In Haiyan, China, the production release dates are split. The new DC-DC Converter and associated cable harnesses for the 380V compressors will be installed on compressors in July 2019. The new DC-DC Converter and associated cable harnesses for the 400V compressors will be installed on compressors in April 2019.

中国海盐工厂将分开两个时间实现换新，380V 压缩机将从 2019 年 7 月起启用全新 DC-DC 转换器与线缆，400V 压缩机将从 2019 年 4 月起启用全新 DC-DC 转换器与线缆。

## Summary

As part of the continuous improvement of our product, we are releasing a new version of DC-DC converter which will apply to all TT, TG, TTH, and TGH-series compressors.

为了不断改进我们的产品，我们发布了适用于所有 TT、TG、TTH 和 TGH 系列压缩机的新型 DC-DC 转换器。

This new DC-DC features several new improvements:

新 DC-DC 转换器的改进之处有：

- Higher output current range which will increase reliability but is also required for new products which have higher operating loads like the new TTH and TGH Series High Lift Compressors. 更高的输出电流范围可以提高可靠性，这也正是新型 TTH 和 TGH 系列高压比压缩机等有着更高工作负载的新产品所需要的。
- Reduced complexity through part commonization and elimination of voltage specific versions of the DC-DC Converter. This new DC-DC converter is universally applied to all compressor voltage types.

DC-DC 转换器采用零件共有化和非电压特定的型号，从而降低了复杂性。新的 DC-DC 转换器可以适用于所有压缩机电压类型。

- Automatic detection of input voltage and self-starting function which eliminates the need for a start/trigger signal from the Soft Start module.

自动检测输入电压和自启动功能，因此无需来自软启动模块的启动/触发信号。

- Design compliant to EU RoHS 2 (Directive 2011/65/EU) as part of a larger effort to have compliance for all of the components on the TT and TG Series compressors.

作为 TT 和 TG 系列压缩机所有组件合规的一部分，DC-DC 转换器的设计也与 EU RoHS 2 (2011/65/EU 指令) 兼容。

The new DC-DC Converter has one fewer connector as it no longer requires the 15VAC trigger signal from the Soft Start module. For new TT and TG-series compressors, the harnesses have been updated to eliminate the extra 15VAC trigger signal harness.

因为无需来自软启动模块的 15VAC 触发信号，因此新的 DC-DC 转换器减少了一个连接器。新型 TT 和 TG 系列压缩机的线束也进行了更新，去除了额外的 15VAC 触发信号线束。

When replacing an older DC-DC Converter with the new one, the 15VAC trigger signal harness will remain disconnected. The spare part instructions included with the new DC-DC Converter kit will fully describe the installation.

使用新 DC-DC 转换器更换旧转换器时，只需将 15VAC 触发信号线束保持未连接状态即可。新 DC-DC 转换器套件的备件说明书中完整描述了这一简单的安装过程。

To accommodate all applications and for ease of ordering spare parts, the kits for the two (2) Soft Start AC/DC cable harness kits (P/N 100380 for TT300/TG230 compressors and P/N 100381 for all other TT/TG compressors **will include both harness types – with and without 15VAC trigger wires.**

为了兼容所有的应用和方便备件订购，两（2）个软启动 AC/DC 电缆线束套件（TT300/TG230 压缩机的零件号为 100380，其他 TT/TG 压缩机的套件为 100381）的套件**将两种线束类型均包含在内 – 带 15VAC 触发线和不带触发线。**

A new spare part kit, P/N 100379 has been created for the new DC-DC Converter and will replace all of the previous DC-DC Converter spare part kits, P/N 100040-X. Any OEM, Service Providers, or other Customers who has an existing inventory on hand of the DC-DC Converters and Soft Start AC/DC cable harness kits which have been made obsolete can continue to use those on the appropriate compressors. 针对新 DC-DC 转换器的新备件套件（P/N 100379）已被创建，并将替换所有之前的 DC-DC 转换器备件套件（P/N 100040-X）。当前库存中还有老式 DC-DC 转换器和软启动 AC/DC 线缆套件的原始设备制造商、服务提供商和其他客户可以在适当的压缩机上继续使用这些产品。

We have updated our Spare Parts Guide to revision “D.2” to reflect these changes and it has been placed on our website.

最新的“D.2”版备件指南包含了这些变更，并在我们的网站上发布。

### Action Required

Please refer to the table below or to our revised Spare Parts Guide when ordering replacement DC-DC Converters and corresponding harness kits.

在订购更换用的 DC-DC 转换器和相应的线束套件时，请参考下表或是修订后的备件指南。

The latest revision of our **Spare Parts Guide** is available on our website. Please navigate to [www.turbocoroem.com](http://www.turbocoroem.com), select login, and enter the **Customer Support and Service Section** of the website.

我们的网站上提供了最新版的**备件指南**。请登录 [www.turbocoroem.com](http://www.turbocoroem.com)，进入到网站的**客户支持和服务部分**。

Access to our website is restricted to customers and other authorized users. If access is needed, please use the “Sign Up” link to submit your information. For additional details, please contact your Key Account Manager.

我们的网站只有客户和其他授权的用户才能访问。如需访问，请点击“注册”链接来提交您的信息。要了解更多详情，请联系您的大客户经理。

DESCRIPTION 描述	OBSOLETE P/N 原来的零件号	NEW P/N 新的零件号	MAJOR REV 主版本号	COMMENT 注释	RELEASE DATE 发布日期
<b>DC-DC Converter</b> <b>DC-DC 转换器</b>	100040-3 (575V) 100040-5 (400V/460V) 100040-6 (380V)  <b>NOTE:</b> 100040-6 should be available for the next few months and can continue to be ordered until stock is depleted  备注: 100040-6 在未 来几个月中仍可购买, 直至现有库存清空为止	100379	All 所有	Replaces all voltages 替换所有电压	April 2019 2019 年 4 月
<b>Soft Start AC/DC Cable Harness (TT300/TG230)</b> <b>软启动 AC/DC 线缆 (TT300/TG230)</b>	100062-4	100380	-N, -P*, -C, -D, -E, -F, -G	Comes with two cables to support both versions of the DC-DCs 带有两个电缆, 以支持两种 DC- DC 型号	April 2019 2019 年 4 月
<b>Soft Start AC/DC Cable Harness</b> <b>软启动 AC/DC 线缆</b>	100062-3	100381	-P*, -A, -C, -E, -F	Comes with two cables to support both versions of the DC-DCs 带有两个电缆, 以支持两种 DC- DC 型号	April 2019 2019 年 4 月
<b>DC-DC to Backplane Cable Harness</b> <b>DC-DC 到背板电缆线束</b>	100323-2	100323-2	-F, -G	No part number change. 零件号没有变 化。	April 2019 2019 年 4 月

Danfoss Turbocor Compressors, Inc. • 1769 E Paul Dirac Drive • Tallahassee, FL 32310 USA • contact@danfoss.com • http://turbocor.danfoss.com • Phone +1 850 504 4800

Danfoss can accept no responsibility for possible errors in catalogues, brochures and other printed material. Danfoss reserves the right to alter its product without notice. This also applies to products already on order provided that such alterations can be made without sub-sequential changes being necessary in specifications already agreed. All trademarks in this material are property of the respective companies. Danfoss and the Danfoss logotype are trademarks of Danfoss A/S. All rights reserved

For further questions, please contact your Key Account Manager or our Product Support group at [turbocor.ps.na@danfoss.com](mailto:turbocor.ps.na@danfoss.com) or [eu.support@danfoss.com](mailto:eu.support@danfoss.com) for inquiries within Europe.

如有其他问题，请联系您的大客户经理或是我们的产品支持小组，联系方式为 [turbocor.ps.na@danfoss.com](mailto:turbocor.ps.na@danfoss.com) 或 [eu.support@danfoss.com](mailto:eu.support@danfoss.com)（欧洲范围内的咨询）。