




KIT MAINS INPUT BRACKET

110090, 110100, 112049, 112050, 112051, & 112059.

 <p>Installation and servicing of Danfoss TurboCor® compressors by qualified and product trained personnel only. Follow these instructions and sound refrigeration/electrical/servicing practices relating to installation, commissioning, maintenance and service.</p>			
<p>Consult the appropriate Danfoss TurboCor Compressors Inc. (DTC) Service Manual on turbocoroem.com for detailed service instructions.</p>	<p>Never power compressor without covers in place and secured.</p> <p>Opening the drive panel will expose you to a voltage hazard of up to 575V AC and 900V DC. Ensure the mains input power is off and locked out before opening panel.</p> <p>Before opening the drive panel, wait at least 20 minutes after isolating AC power to allow the high voltage capacitors to</p>	<p>Always wear appropriately rated safety equipment when working around equipment and/or components energized with high voltage.</p> <p>This equipment contains hazardous voltages that can cause serious injury or death.</p>	<p>Recover all refrigerant from compressor in accordance with local codes and ensure pressure is fully vented before the removal of refrigerant containing components.</p>

1 - Introduction

This kit contains the Mains Input Bracket. Please refer to our Service Manual for details regarding the replacement of this bracket as there are several different versions.

We have made the **VTT/VTX Service Manual** available to anyone. To access the manual, you may scan the applicable QR code below or you may go to our DTC website at www.turbocoroem.com. At the top of the page there is a pull-down menu called "Quick Links." Click this menu and select the appropriate service manual.

Refer to the applicable QR code below to download the VTT/VTX Service Manual.

English



Chinese



Danfoss can accept no responsibility for possible errors in catalogues, brochures and other printed material. Danfoss reserves the right to alter its products without notice. This also applies to products already on order provided that such alterations can be made without consequential changes being necessary in specifications already agreed. All trademarks in this material are property of the respective companies. Danfoss and the Danfoss logotype are trademarks of Danfoss A/S. All rights reserved.

2 - MAINS INPUT BRACKET Removal Instructions

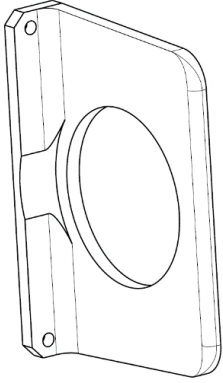



1. Isolate VTT/VTX power as described in Section "Electrical Isolation of the VFD" of the Service Manual (M-SV-VT-001).
2. Remove the Motor Power Cover.
3. Disconnect the cables from the Motor Bus Bars.
4. Separate the cable conduit from the Mains Input Bracket.
5. Remove the Mains Input Bracket.

3 - MAINS INPUT BRACKET Installation Instructions

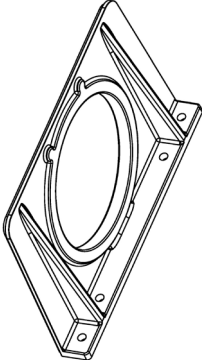



1. Connect the cable conduit to the Mains Input Bracket.
2. Install the Mains Input Bracket to the compressor housing.
3. Connect the cables to the Motor Bus Bars.
4. Install the Motor Power Cover.
5. Return the compressor to normal operation.

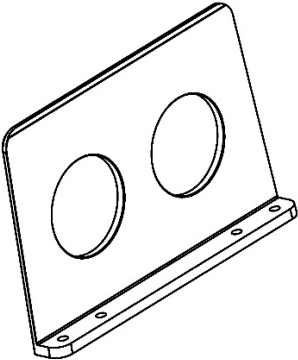


4 - Kit Contents

Note: Any part numbers included in the kit contents are internal part numbers only. Please refer to our Spare Parts Manuals for any kit part numbers.


Kit numbers	Compressor models	
110090	VTT (Rev A Only)	
QTY	Part(s) Description	Picture(s)
1	BRACKET - CONDUIT	
2	WASHER, M8 FLAT – 902398	
2	WASHER, M8 SPLIT – 902397	
2	SCREW, M8X30 SOCKET HEAD CAP - 902387	

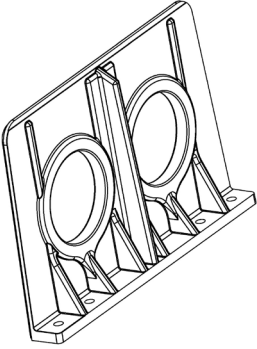



Danfoss can accept no responsibility for possible errors in catalogues, brochures and other printed material. Danfoss reserves the right to alter its products without notice. This also applies to products already on order provided that such alterations can be made without subsequential changes being necessary in specifications already agreed. All trademarks in this material are property of the respective companies. Danfoss and the Danfoss logotype are trademarks of Danfoss A/S. All rights reserved.

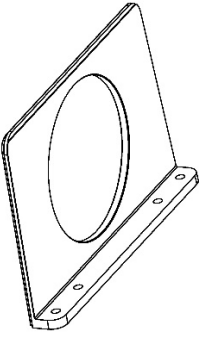

Kit numbers	Compressor models	
110100	VTT (Rev B & C)/VTX	
QTY	Part(s) Description	Picture(s)
1	BRACKET – CONDUIT (Single 4” Hole)	
4	WASHER, M6 FLAT – 940199	
4	WASHER, M6 SPLIT – 940200	
4	SCREW, M6X20 SOCKET HEAD CAP – 902406	

Kit numbers	Compressor models	
112059	VTT (Rev B & C)/VTX	
QTY	Part(s) Description	Picture(s)
1	BRACKET – CONDUIT (Two 2” Holes - Metal)	
4	WASHER, M6 FLAT – 940199	
4	WASHER, M6 SPLIT – 940200	



Danfoss can accept no responsibility for possible errors in catalogues, brochures and other printed material. Danfoss reserves the right to alter its products without notice. This also applies to products already on order provided that such alterations can be made without subsequential changes being necessary in specifications already agreed. All trademarks in this material are property of the respective companies. Danfoss and the Danfoss logotype are trademarks of Danfoss A/S. All rights reserved.

4	SCREW, M6X20 SOCKET HEAD CAP – 902406	
---	---------------------------------------	---

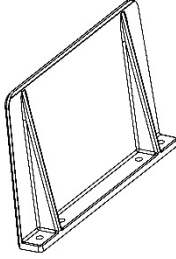



Kit numbers	Compressor models	
112049	VTT (Rev B & C)/VTX	
QTY	Part(s) Description	Picture(s)
1	BRACKET – CONDUIT (Two 2" Holes)	
4	WASHER, M6 FLAT – 940199	
4	WASHER, M6 SPLIT – 940200	
4	SCREW, M6X20 SOCKET HEAD CAP – 902406	

Kit numbers	Compressor models	
112050	VTT (Rev B & C)/VTX	
QTY	Part(s) Description	Picture(s)
1	BRACKET – CONDUIT (Single 4" Hole - Metal)	
4	WASHER, M6 FLAT – 940199	

Danfoss can accept no responsibility for possible errors in catalogues, brochures and other printed material. Danfoss reserves the right to alter its products without notice. This also applies to products already on order provided that such alterations can be made without subsequential changes being necessary in specifications already agreed. All trademarks in this material are property of the respective companies. Danfoss and the Danfoss logotype are trademarks of Danfoss A/S. All rights reserved.

4	WASHER, M6 SPLIT – 940200	
4	SCREW, M6X20 SOCKET HEAD CAP – 902406	

Kit numbers	Compressor models
112051	VTX Only

QTY	Part(s) Description	Picture(s)
1	BRACKET – CONDUIT (No Hole)	
4	WASHER, M6 FLAT – 940199	
4	WASHER, M6 SPLIT – 940200	
4	SCREW, M6X20 SOCKET HEAD CAP – 902406	

Danfoss can accept no responsibility for possible errors in catalogues, brochures and other printed material. Danfoss reserves the right to alter its products without notice. This also applies to products already on order provided that such alterations can be made without subsequential changes being necessary in specifications already agreed. All trademarks in this material are property of the respective companies. Danfoss and the Danfoss logotype are trademarks of Danfoss A/S. All rights reserved.